



**U.S. TOYO  
FAN CORP.**

**USTF6025 Series**

**DC Brushless Fans**

3651 Walnut Ave., Chino, CA 91710

Web: USToyoFan.com Email: Service@USToyoFan.com Phone: (909) 627-8178

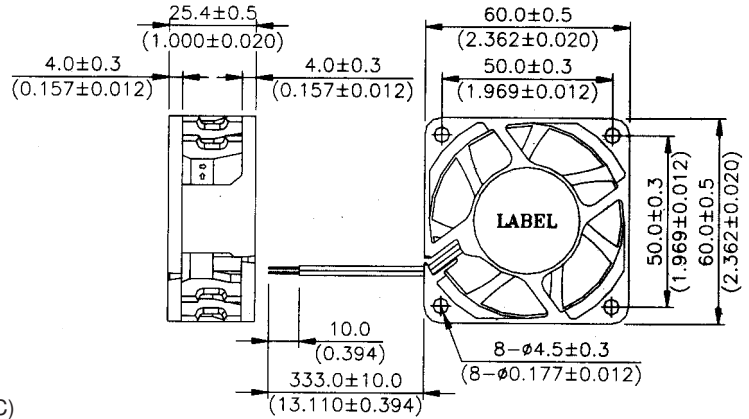
**USTF6025 Series**

**Size:** 2.36 in sq. x 1.00 in. thk  
(60mm sq. x 25mm thk.)

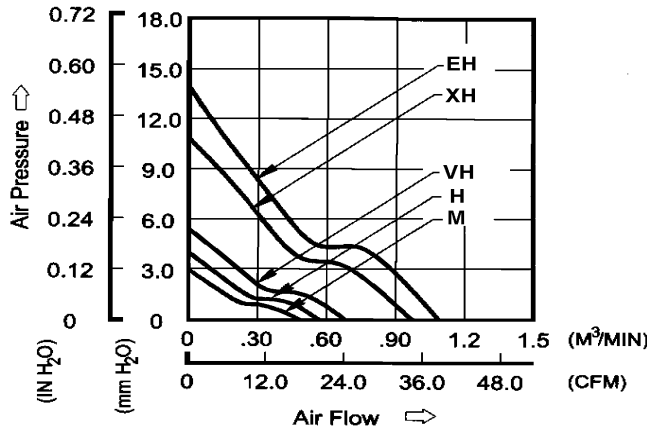
**Airflow:** 16.8 - 38.4 CFM

**Acoustical Noise:** 26.5 - 46.5 dB (A)

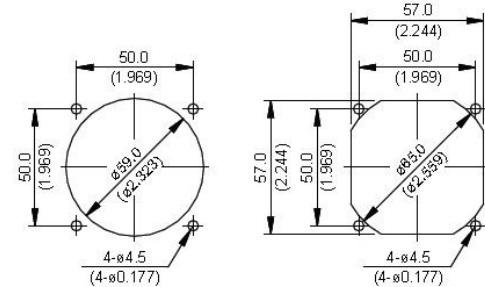
- MATERIAL:** Frame - Black PBT (UL 94V-0)  
Bearings - Ball  
Impeller - Black PBT (UL 94V-0)
- WEIGHT:** 2.82 oz. (80g)
- TERMINATION:** Lead Wires (UL 1007 or equiv., AWG24)
- OPERATION TEMPERATURE:** -10° to +70° C
- INSULATION RESISTANCE:** 10 megohms min @ 500 VDC
- DIELECTRIC STRENGTH:** 500 VAC for 1 min.
- INSULATION:** Class A
- SAFETY:** Impedance & Polarity Protected
- SAFETY APPROVALS:** UL, CSA & CE
- OPERATING VOLTAGE:** 4 to 13.8 (12VDC)  
14 to 27.6 (24VDC), 28 to 56 (48VDC)



**PERFORMANCE CURVES:** (Obtained with test chamber and methods in accordance with AMCA Std. 210-74)



**PANEL CUTOUTS**  
OUTLET SIDE      INLET SIDE



**SPECIFICATIONS:** (All values are typical)

\*Amps values shown are typical running. Fan labels show higher max values

PART NUMBER	VOLTS	WATTS	AMPS*	RPM	NOISE dB (A) @ 1M	CFM
USTF602512EHW	12VDC	4.56	0.38	6800	46.5	38.4
USTF602512XHW	12VDC	3.24	0.27	6000	44.5	34.1
USTF602512VHW	12VDC	1.68	0.14	4250	34.0	23.4
USTF602512HW	12VDC	1.56	0.13	3600	31.0	19.8
USTF602512MW	12VDC	0.96	0.08	3100	26.5	16.8
USTF602524EHW	24VDC	5.76	0.24	6800	46.5	38.4
USTF602524XHW	24VDC	4.08	0.17	6000	44.5	34.1
USTF602524VHW	24VDC	2.16	0.09	4250	34.0	23.4
USTF602524HW	24VDC	1.68	0.07	3600	31.0	19.8
USTF602524MW	24VDC	1.44	0.06	3100	26.5	16.8
USTF602548EHW	48VDC	6.72	0.14	6800	46.5	38.4
USTF602548XHW	48VDC	5.28	0.11	6000	44.5	34.1

MODELS AVAILABLE ON REQUEST:

Failure Detector - rotation sensing - Add Suffix "SR" to part number  
Speed Controller - tach output - Add Suffix "SF" to part number